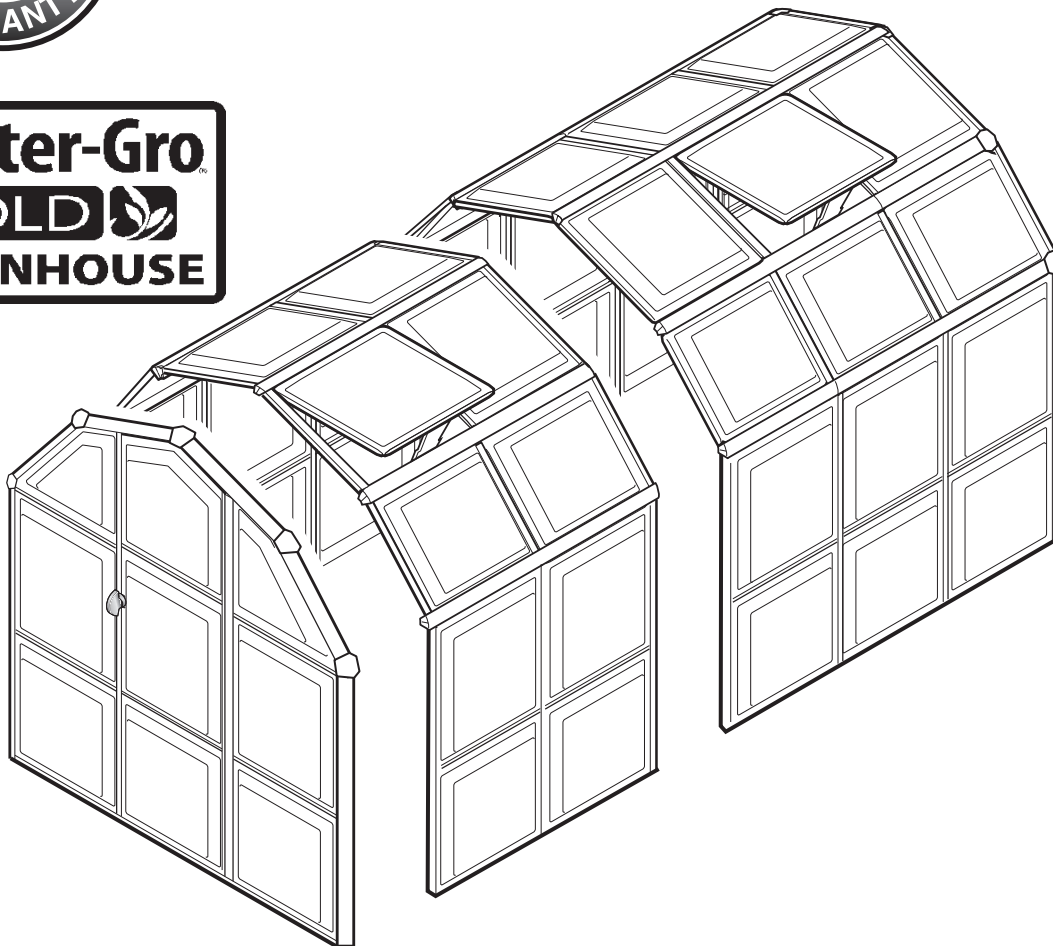


ASSEMBLY INSTRUCTIONS

GREENHOUSE EXTENSION 6'X4'



Overall Dimensions (Approx.)
120" L x 193 W x 200 H cms
49" L x 76" W x 82.7" H

IMPORTANT

You must read these instructions carefully before you start to assemble this greenhouse. Please carry out the steps in the order set out in these instructions.

Keep these instructions in a safe place for future reference.



SAFETY ADVICE

We strongly recommend the use of work gloves during assembly as aluminium profiles may have **sharp edges**.
Do not attempt to assemble the greenhouse in windy or wet conditions.
Take special care not to touch overhead power cables with the aluminium profiles.
Always wear shoes and safety goggles when working with extruded aluminium.
Dispose of all plastic bags safely - keep them out of reach of small children.
The greenhouse must be positioned and fixed on a flat level surface.
Do not lean against or push the greenhouse during construction.
Keep children away from the assembly area - the aluminium profiles may have sharp edges.
Do not position your greenhouse in an area exposed to excessive wind.
Do not attempt to assemble this greenhouse if you are tired, have taken drugs or alcohol or if you are prone to dizzy spells.
If using a step ladder ensure that you follow the manufacturers safety advice.
If using power tools always follow the manufacturers instructions.
Hot items such as recently used grills, blowtorches etc. must not be stored in the greenhouse.
Ensure there are no hidden pipes or cables in the ground before inserting the ground stakes.

GENERAL ADVICE

This is a multi-part assembly. Allow at least 180 minutes to assemble from start to finish.
Selecting a site - choose a sunny level position for your greenhouse away from overhanging trees. Select a large working area to construct the greenhouse.
If you are fixing your greenhouse directly to a solid concrete base, please take into account the fixing brackets **24**. See diagram and text 34 (Area needed - 266.6cm/104.5" Length x 211.9cm/83" Width including fixing brackets **24**)
It is advisable to use a lubricant to ease connection between aluminium profiles and panels.
Before starting installation the component parts should be checked and placed to the side, close at hand, in organized manner for easier identification **when installing**.
Keep all small parts (screws etc.) in a bowl so they do not get lost.
Note that the door is hinged on the right hand side and therefore opens to the right.
You can opt to use the base brackets supplied to anchor your greenhouse to a concrete floor or you can use the optional base.
We strongly advise you to keep the special white protective covers on the side panels and first line of roof panels until the greenhouse is fully assembled. You should however remove the white protective covers from the very top roof panels, as it will be very difficult to remove them afterwards.
Keep roof clear of snow and leaves.

CARE & MAINTENANCE

When cleaning your greenhouse, use a mild detergent solution and rinse well with cold clean water.
DO NOT use acetone, abrasive cleaners or other special detergents to clean the clear panels.
When opening the greenhouse door do not pull the handle fiercely.
Replacement parts - contact 1-877 - MASTGRO (1-877-627-8476)

TOOLS & EQUIPMENT REQUIRED

Silicone Sealant approved for polycarbonate
Tape measure
Work gloves
Plastic or rubber mallet
Lubricant(mild detergent solution and water)

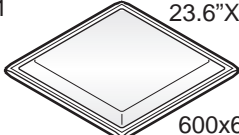
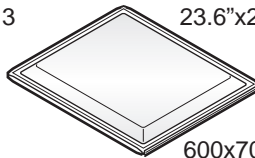
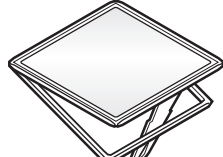
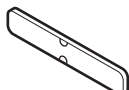
Phillips screwdriver
Drill
5/64" metal drill bit
Scissors

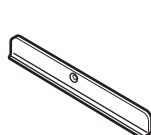
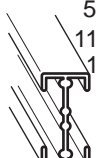
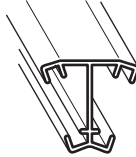
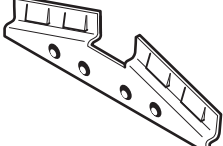
Step ladder
Level
Large hammer

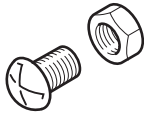
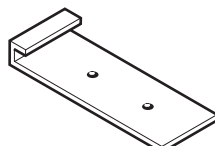
If help is required seek professional advice within store.

See over for contents

CONTENTS

ITEM		QTY.
1	 23.6"X23.6" 600x600mm	11
3	 23.6"x27.5" 600x700mm	4
6		1
10A	 3.9" 100mm	2

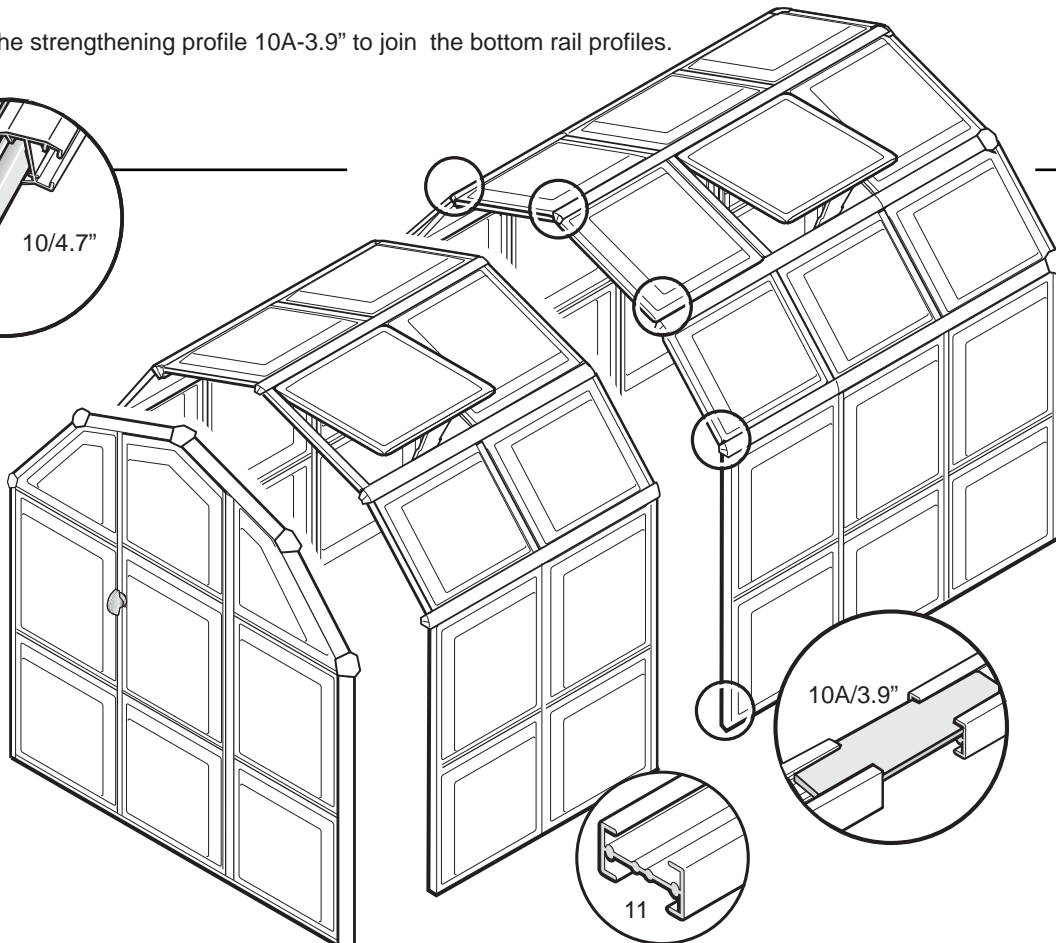
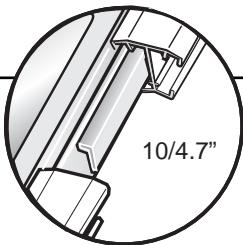
ITEM		QTY.
10	 4.7" 120mm	5
11	 590mm 23.2" 1190mm 46.8" 1290mm 50.7"	8 2 4
12	 46.8" 1190mm	5
21		26

ITEM		QTY.
22	 0.4" 12mm	26
24		2

1 Following the existing Assembly instructions supplied with your greenhouse use the extra sections supplied here to incorporate the extension into your greenhouse.

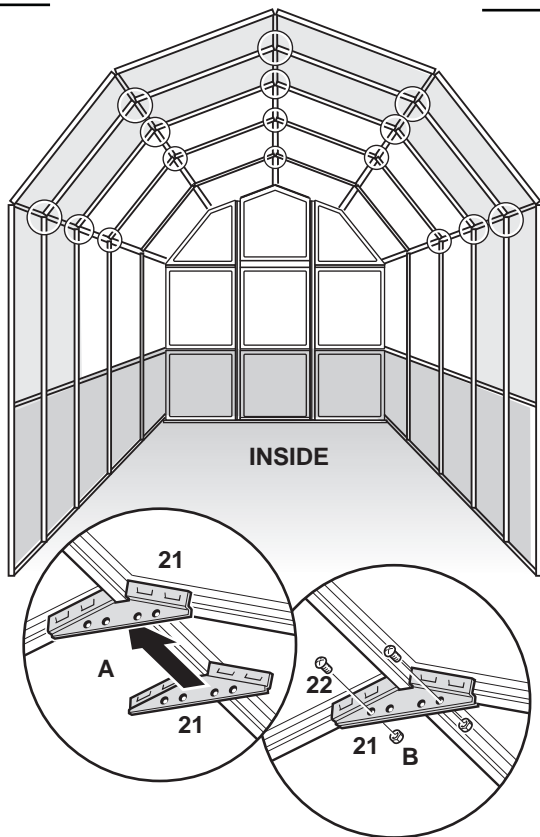
At the 5 horizontal points (4 shown) on the roof, ensure you fit a strengthening profile 10-4.7".

Use the strengthening profile 10A-3.9" to join the bottom rail profiles.



2

Use pairs of roof brackets 21 to clamp each roof section where shown (A).
Fix brackets in place using 0.47" nuts and bolts 22 (B). Tighten with wrench.



3

Base construction

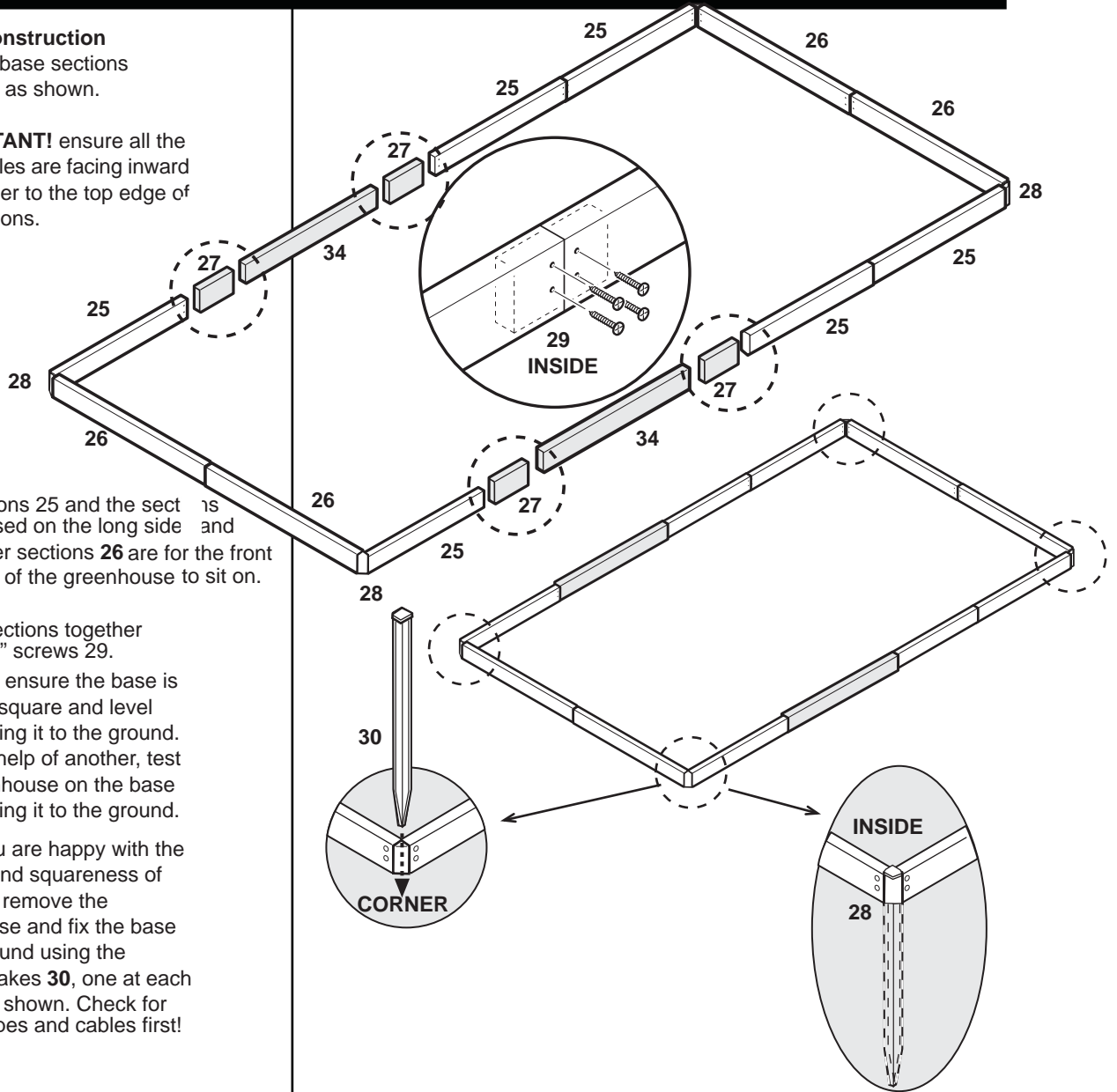
Slot the base sections together as shown.

IMPORTANT! ensure all the fixing holes are facing inward and closer to the top edge of the sections.

The sections 25 and the sect 15 34 are used on the long side and the longer sections 26 are for the front and back of the greenhouse to sit on.

Fix the sections together using 0.6" screws 29. You must ensure the base is perfectly square and level before fixing it to the ground. With the help of another, test the greenhouse on the base before fixing it to the ground.

Once you are happy with the position and squareness of the base, remove the greenhouse and fix the base to the ground using the ground stakes 30, one at each corner as shown. Check for hidden pipes and cables first!



4

Fixing Greenhouse to Base

Carefully reposition the greenhouse onto the base.

From the inside, fit the brackets at positions shown on plan. Remove the two screws at these joints first, fit brackets and reattach the screws. Ensure the brackets hook over the bottom rim of the greenhouse.

DOOR →

